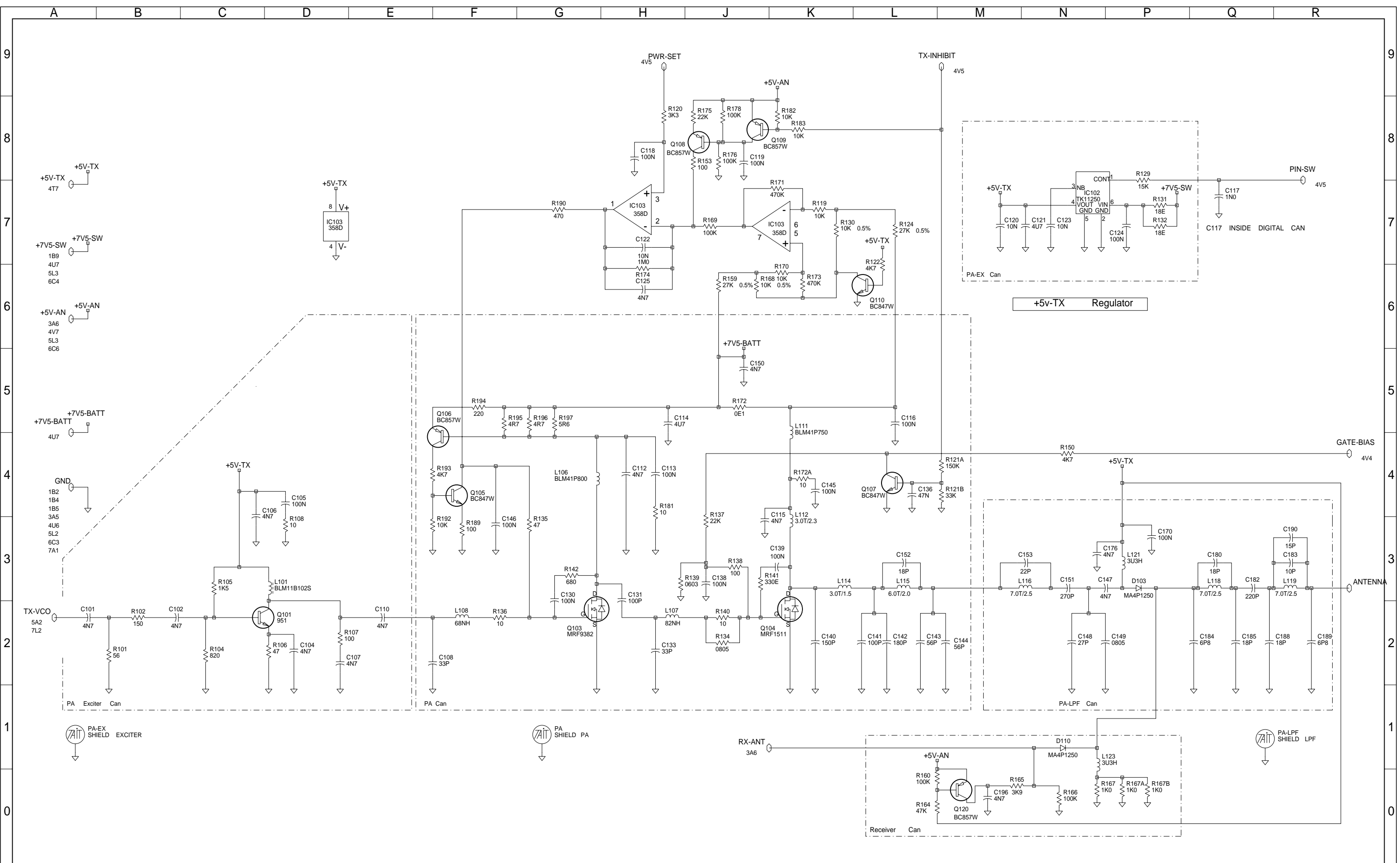


REV/ISS	AMENDMENTS	DRAWN	CHKD	D.O.	APVD	DATE
08A	CCO NO.1616-011					27-07-00
07A	CCO NO. 1616-010					05-05-00
06B	CCO 1616-009					22-02-00
06A	CCO NO 1616-008					10-02-2K
04A	CLONED 220-01616-01 CCO 1616/006		SP	CK	DW	24/11/99

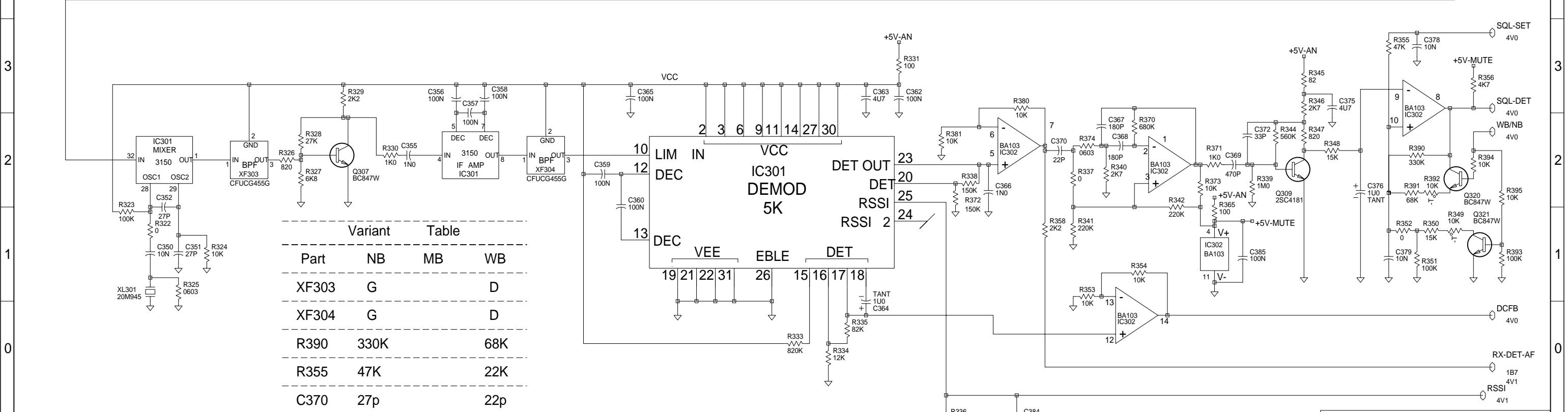
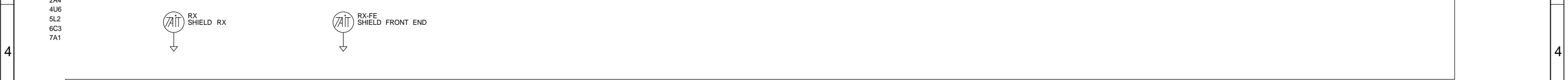
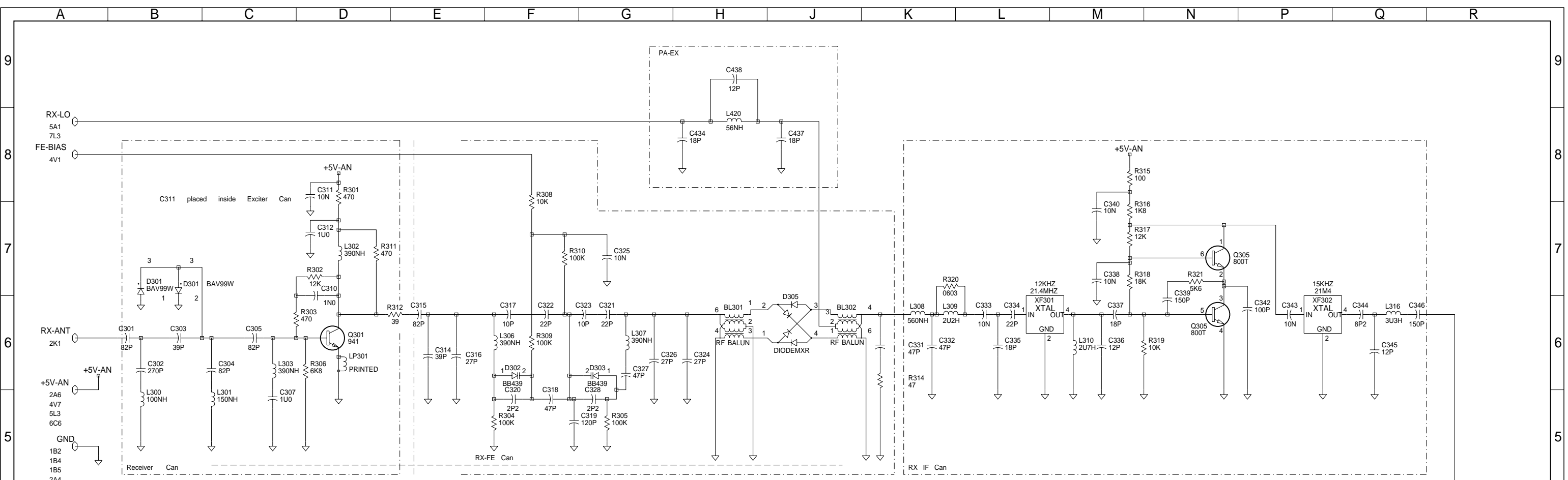
SUB-VHF
Tait Orca

© TAIT ELECTRONICS	
ORCA :	66-88MHZ
SYSTEM DIAGRAM	
IPN: 220-01616-08	ISSUE: A
DESIGNER: TAIT ORCA	FILE NAME: 161608a
FILE DATE: 2-Aug-00	NO. SHEETS: 7



© TAIT ELECTRONICS
 ORCA : 66-88MHZ POWER AMPLIFIER
 IPN: A ID: 2.S.C. 2
 PROJECT: 220-01616-08 DESIGNER: BRD FILE NAME: 161608a FILE DATE: 2-Aug-00 NO.SHEETS: 7

REV/ISS	AMENDMENTS	DRAWN	CHKD	D.O.	APVD	DATE
A						

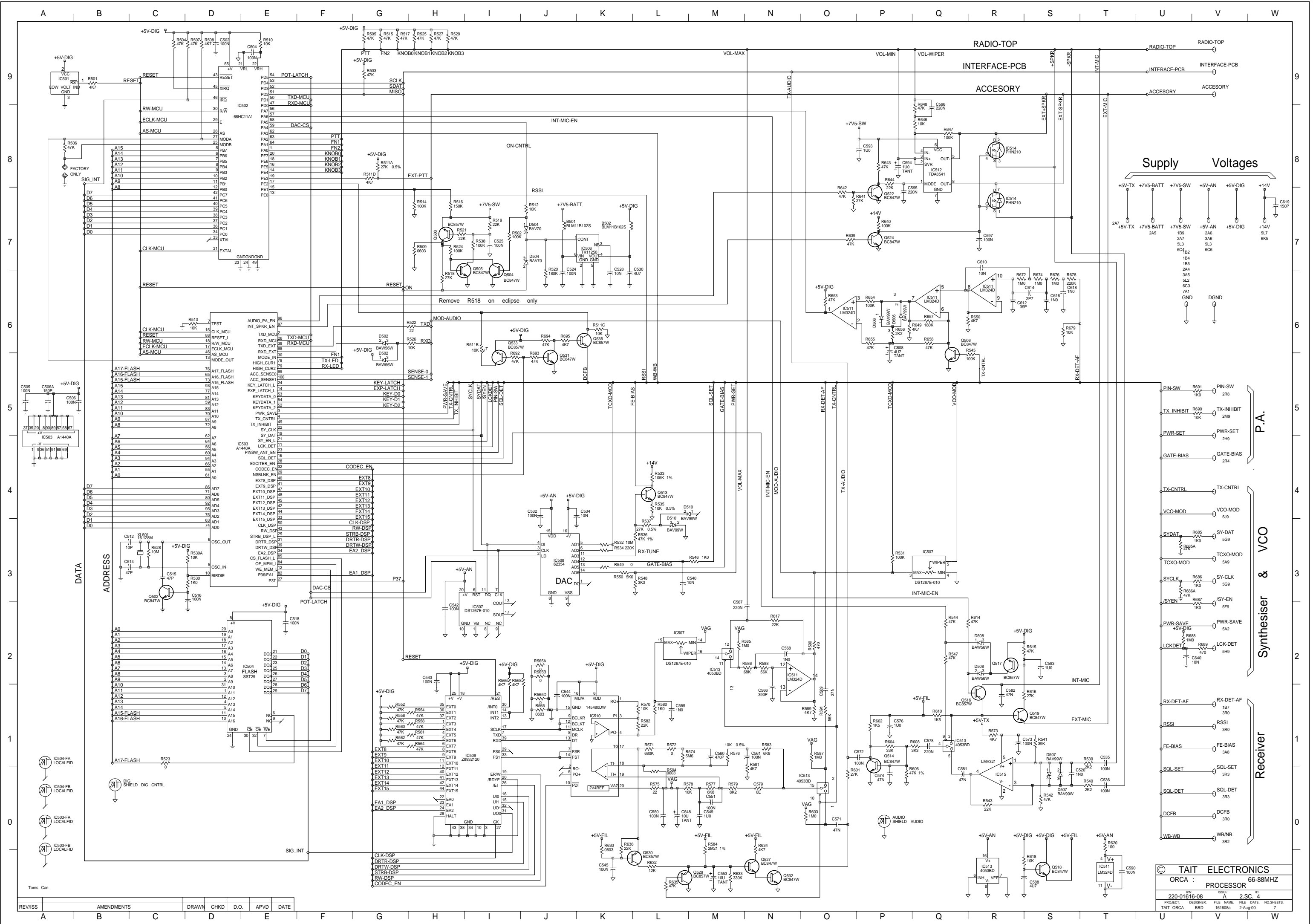


Variant Table

Part	NB	MB	WB
XF303	G		D
XF304	G		D
R390	330K		68K
R355	47K		22K
C370	27p		22p
C369	470p		330p

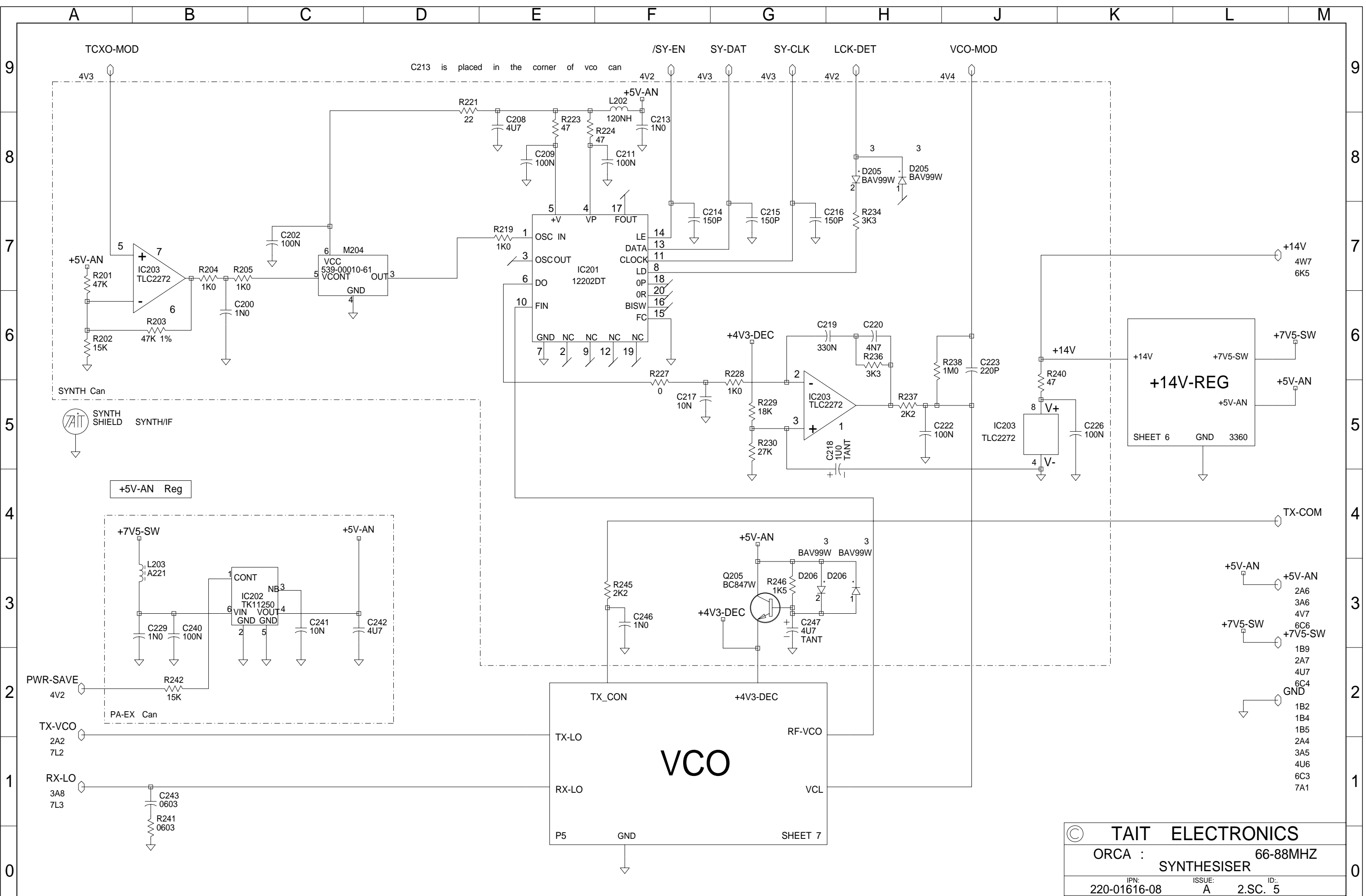
© TAIT ELECTRONICS
 ORCA : RECEIVER 66-88MHZ
 IPN: 220-01616-08 ISSUE: A 2.S.C. 3
 PROJECT: TAIT ORCA BRD DESIGNER: FILE NAME: 161608a FILE DATE: 2-Aug-00 NO.SHEETS: 7

REV/ISS	AMENDMENTS	DRAWN	CHKD	D.O.	APVD	DATE



© TAIT ELECTRONICS
 ORCA : PROCESSOR 66-88MHZ
 220-01616-08 A 2-SC 4
 PROJECT DESIGNER FILE NAME FILE DATE NO SHEETS
 TAIT ORCA BRD 161608a 2-Aug-90 7

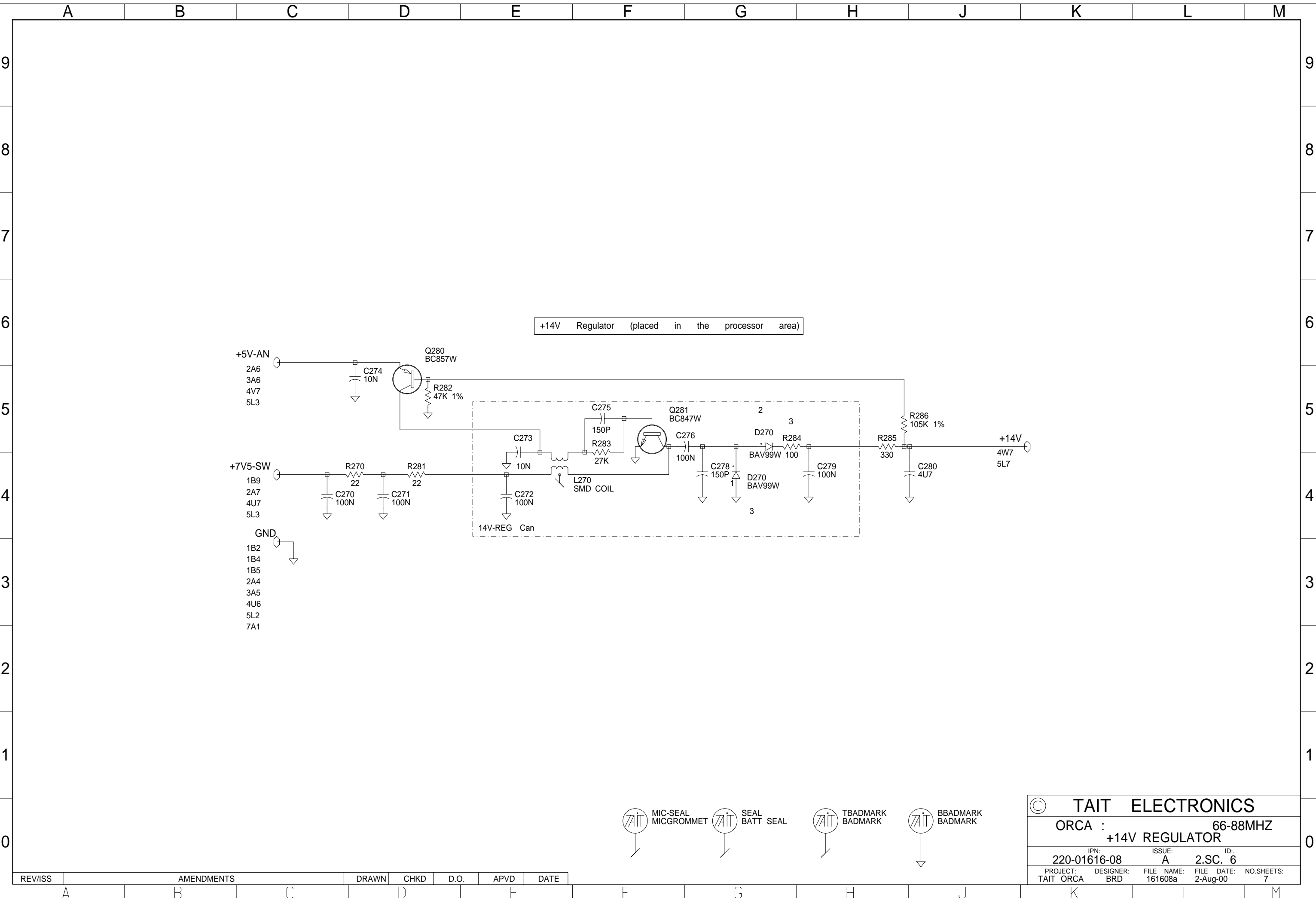
REV/ISS	AMENDMENTS	DRAWN	CHKD	D.O.	APVD	DATE



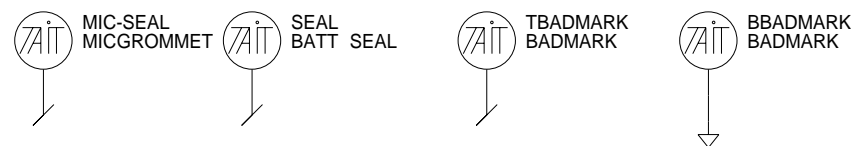
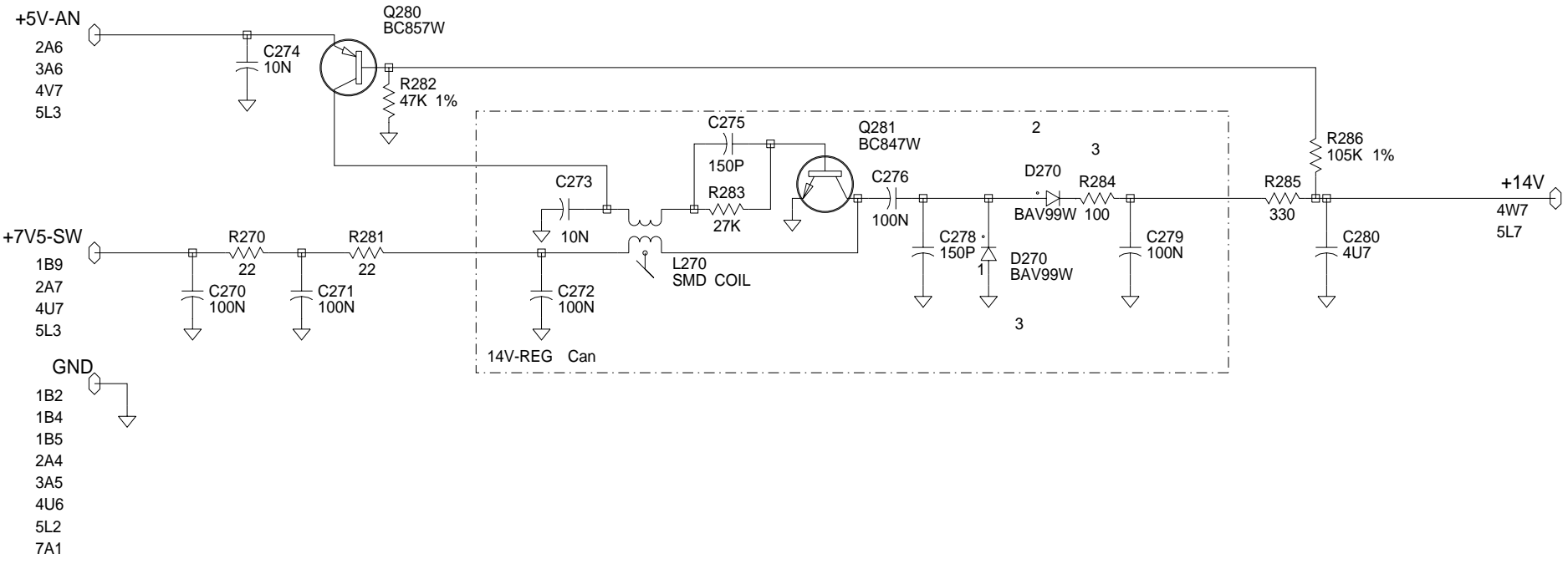
© TAIT ELECTRONICS
 ORCA : 66-88MHZ SYNTHESISER
 IPN: 220-01616-08 ISSUE: A ID: 2.SC. 5
 PROJECT: TAIT ORCA DESIGNER: BRD FILE NAME: 161608a FILE DATE: 2-Aug-00 NO.SHEETS: 7

REV/ISS	AMENDMENTS	DRAWN	CHKD	D.O.	APVD	DATE

- +5V-AN 2A6
- +5V-AN 3A6
- 4V7 4V7
- +7V5-SW 6C6
- +7V5-SW 1B9
- +7V5-SW 2A7
- 4U7 4U7
- 6C4 6C4
- GND 1B2
- 1B4 1B4
- 1B5 1B5
- 2A4 2A4
- 3A5 3A5
- 4U6 4U6
- 6C3 6C3
- 7A1 7A1

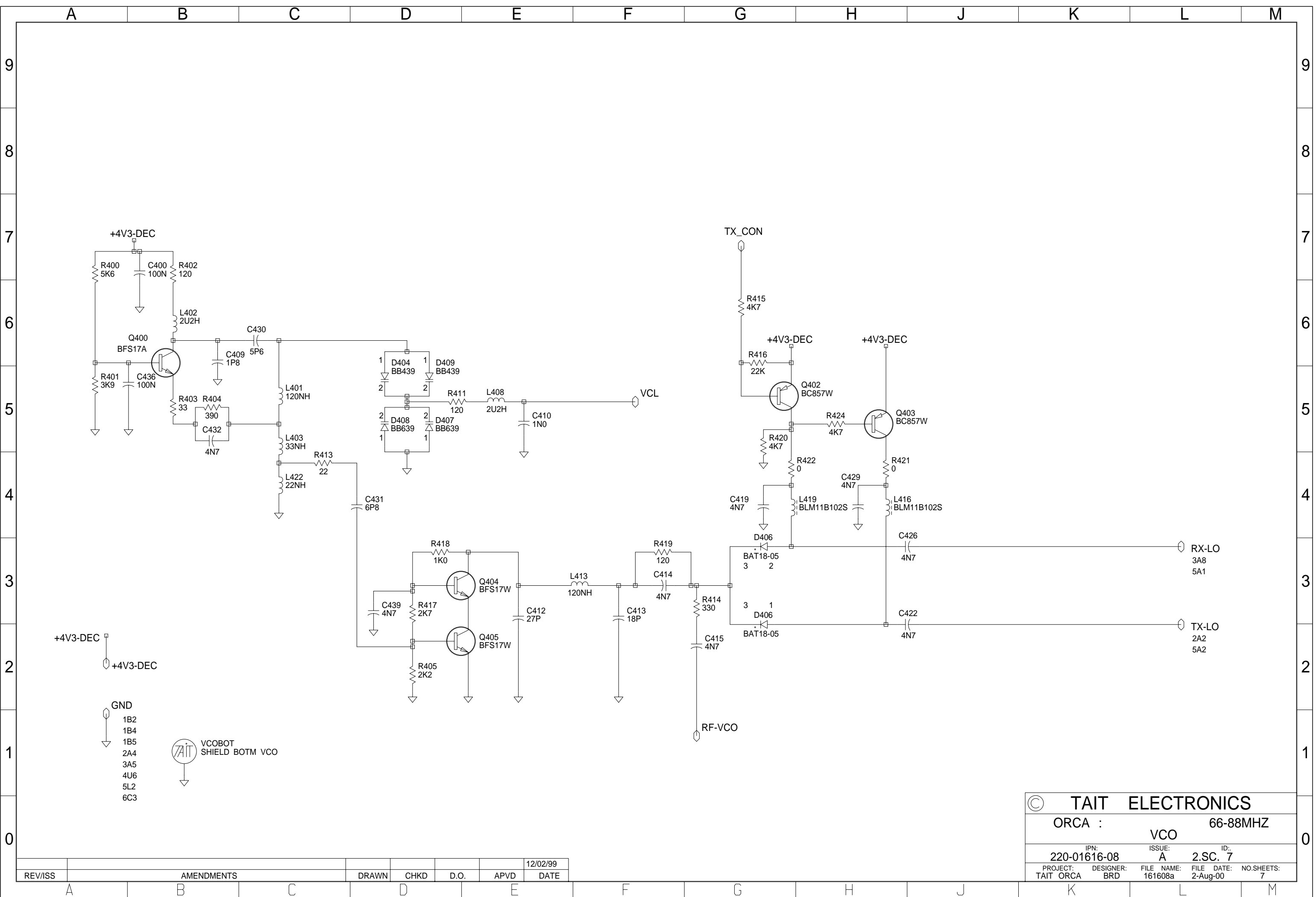


+14V Regulator (placed in the processor area)



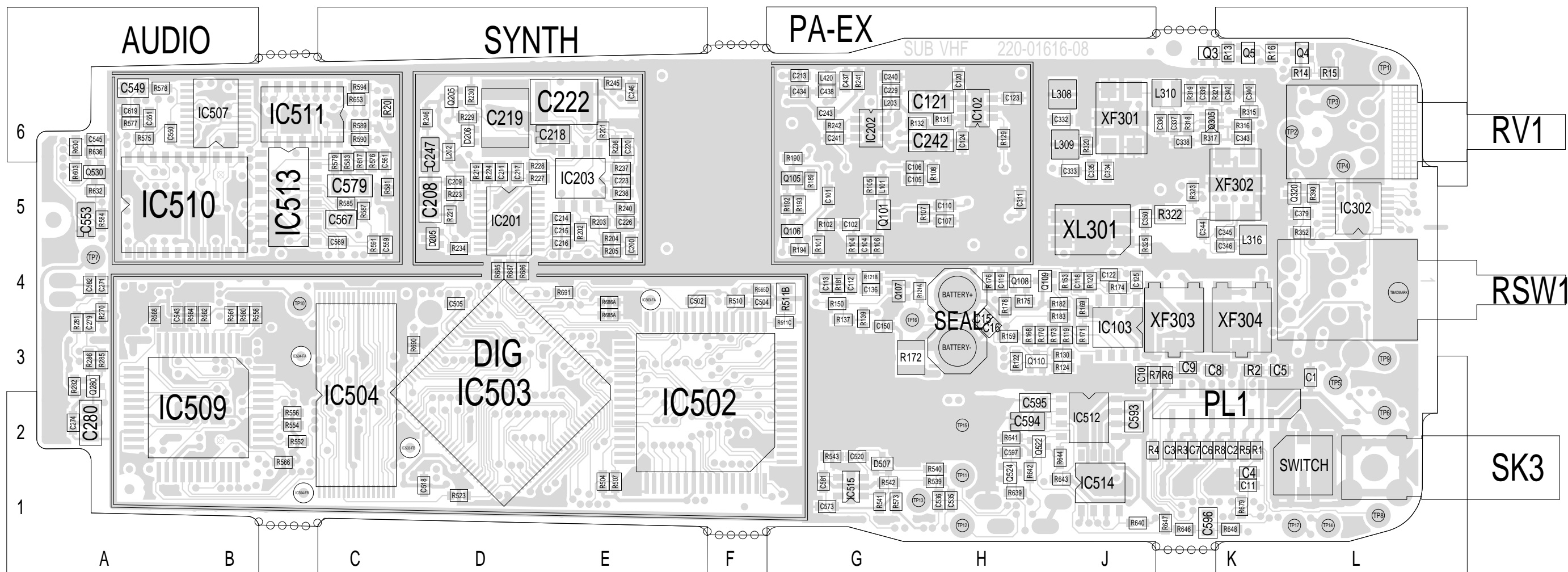
© TAIT ELECTRONICS	
ORCA : 220-01616-08	66-88MHZ +14V REGULATOR
IPN: A	ID: 2.SC. 6
PROJECT: TAIT ORCA	DESIGNER: BRD
FILE NAME: 161608a	FILE DATE: 2-Aug-00
	NO.SHEETS: 7

REV/ISS	AMENDMENTS	DRAWN	CHKD	D.O.	APVD	DATE

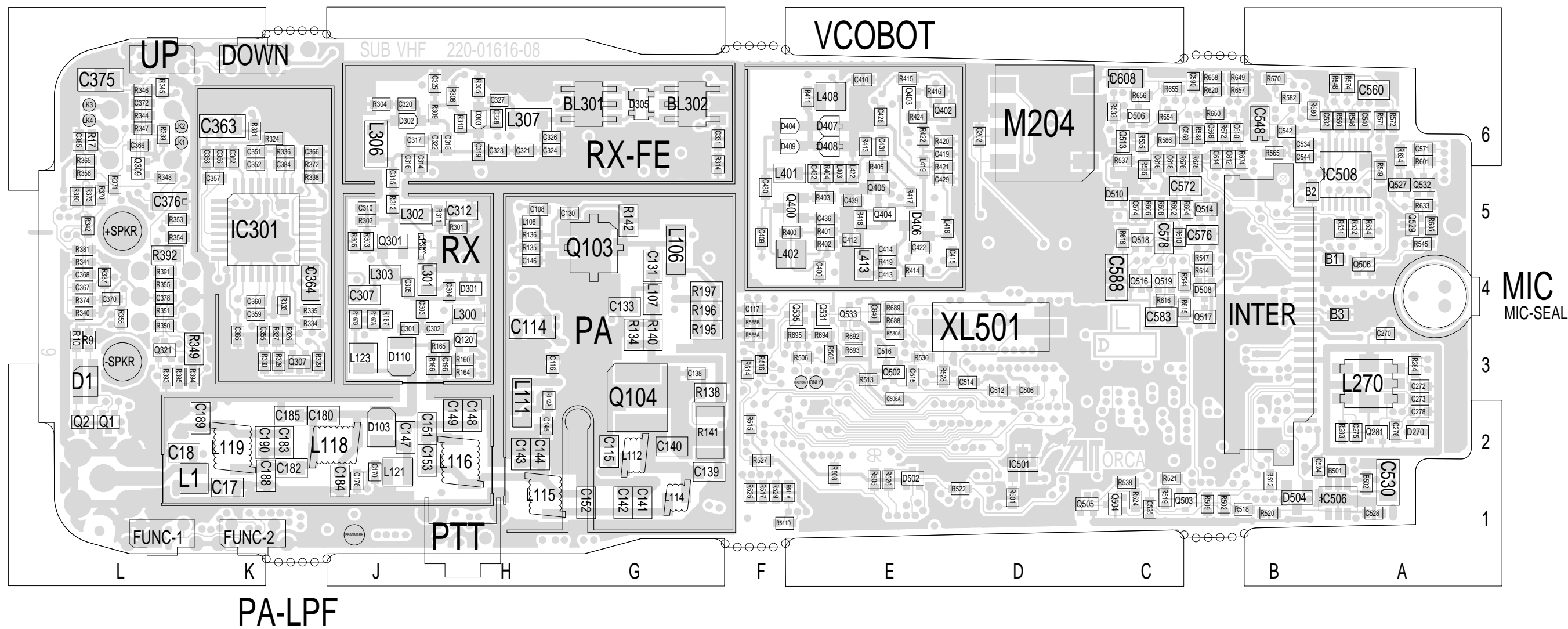


© TAIT ELECTRONICS				
ORCA :		66-88MHZ		
		VCO		
IPN:	ISSUE:	ID:		
220-01616-08	A	2.SC. 7		
PROJECT:	DESIGNER:	FILE NAME:	FILE DATE:	NO.SHEETS:
TAIT ORCA	BRD	161608a	2-Aug-00	7

REV/ISS	AMENDMENTS	DRAWN	CHKD	D.O.	APVD	DATE
						12/02/99



TAIT ELECTRONICS IPN: 220-01616-08 ISS: A ID: 1.TA DATE: 2 Aug 2000
 SUB VHF PCB LAYOUT - TOP SIDE



TAIT ELECTRONICS IPN: 220-01616-08 ISS: A ID: 6.BA DATE: 2 Aug 2000
 SUB VHF PCB LAYOUT - BOTTOM SIDE

Scale: 2.3:1 ; Rotation: 0 degrees